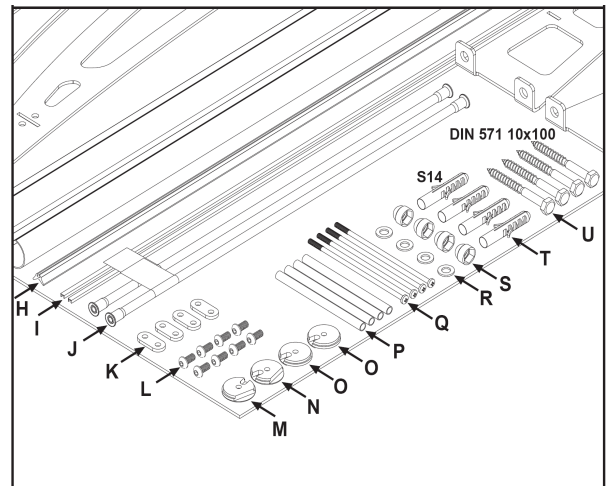
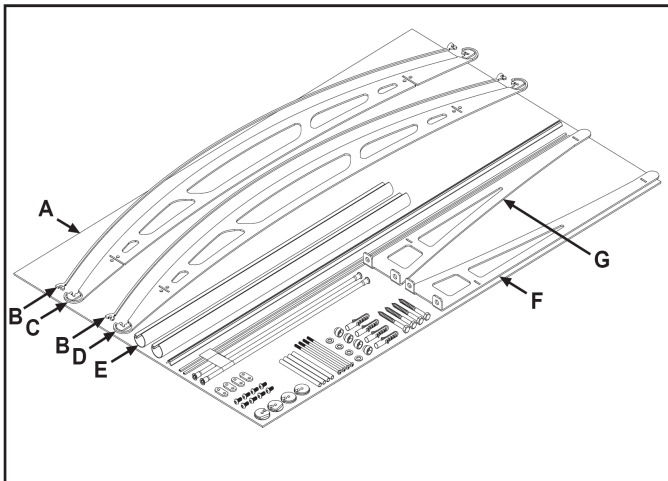


LIGHTLINE®

Fitting Instructions 1.5m Round Canopy



Attention
Before assembly of the Canopy the condition of the brickwork must be inspected for Damage and Stability, and if necessary alternative fixings should be used

